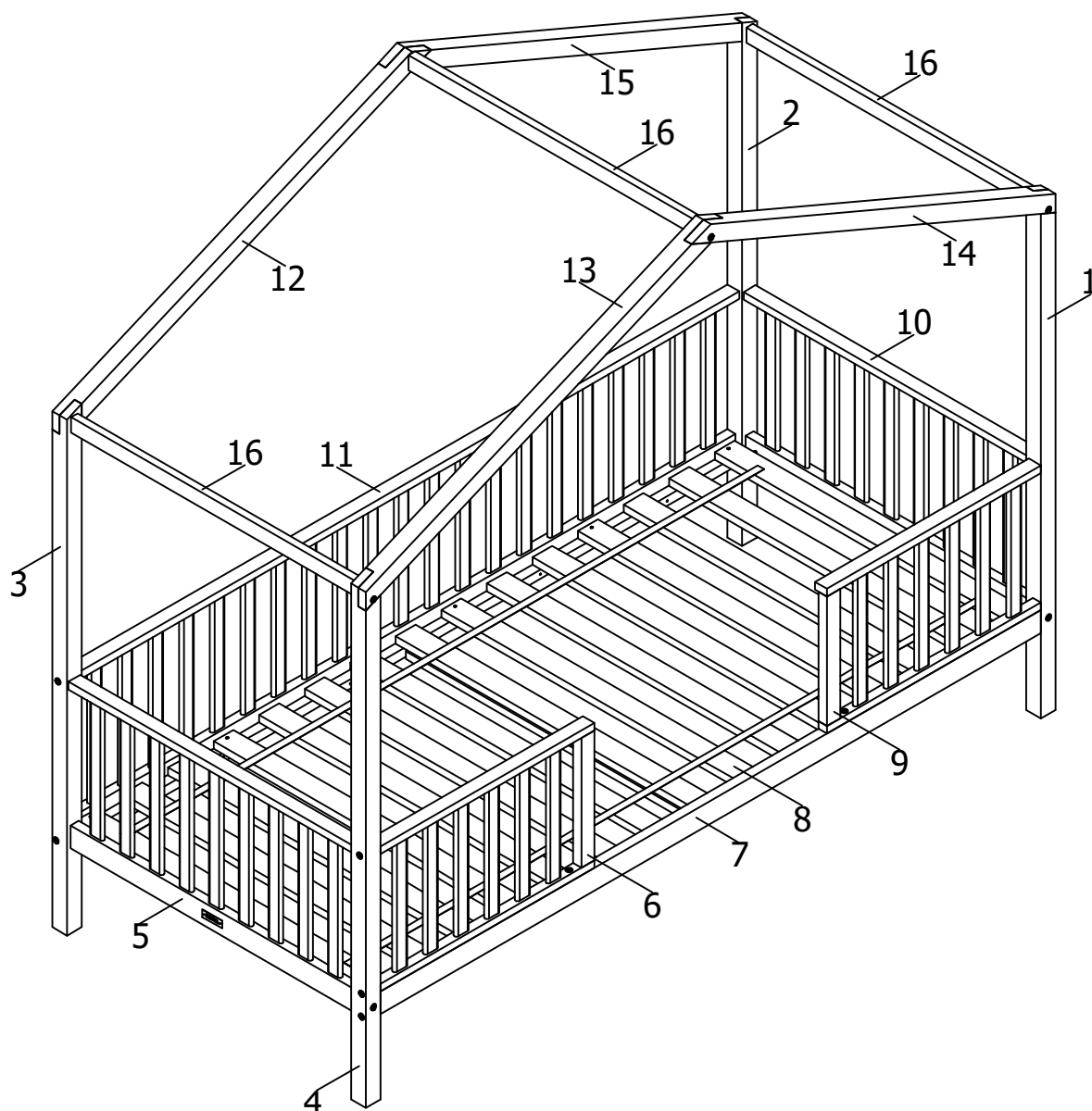


bopita®

ASSEMBLY INSTRUCTION
MONTAGE HANDLEIDING
MONTAGE ANLEITUNG
NOTICE DE MONTAGE
MANUAL DE MONTAJE

UK
NL
D
F
ESP

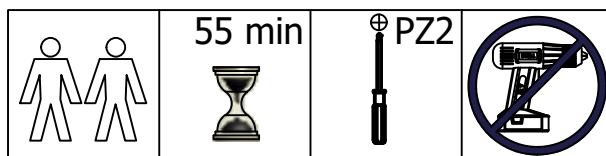
MODEL :ROBIN WITH LEGS
TYPE :BED 90X200
COLOUR :WHITE
ART.CODE :265010.11








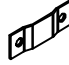

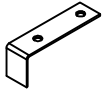

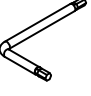
Distributor:

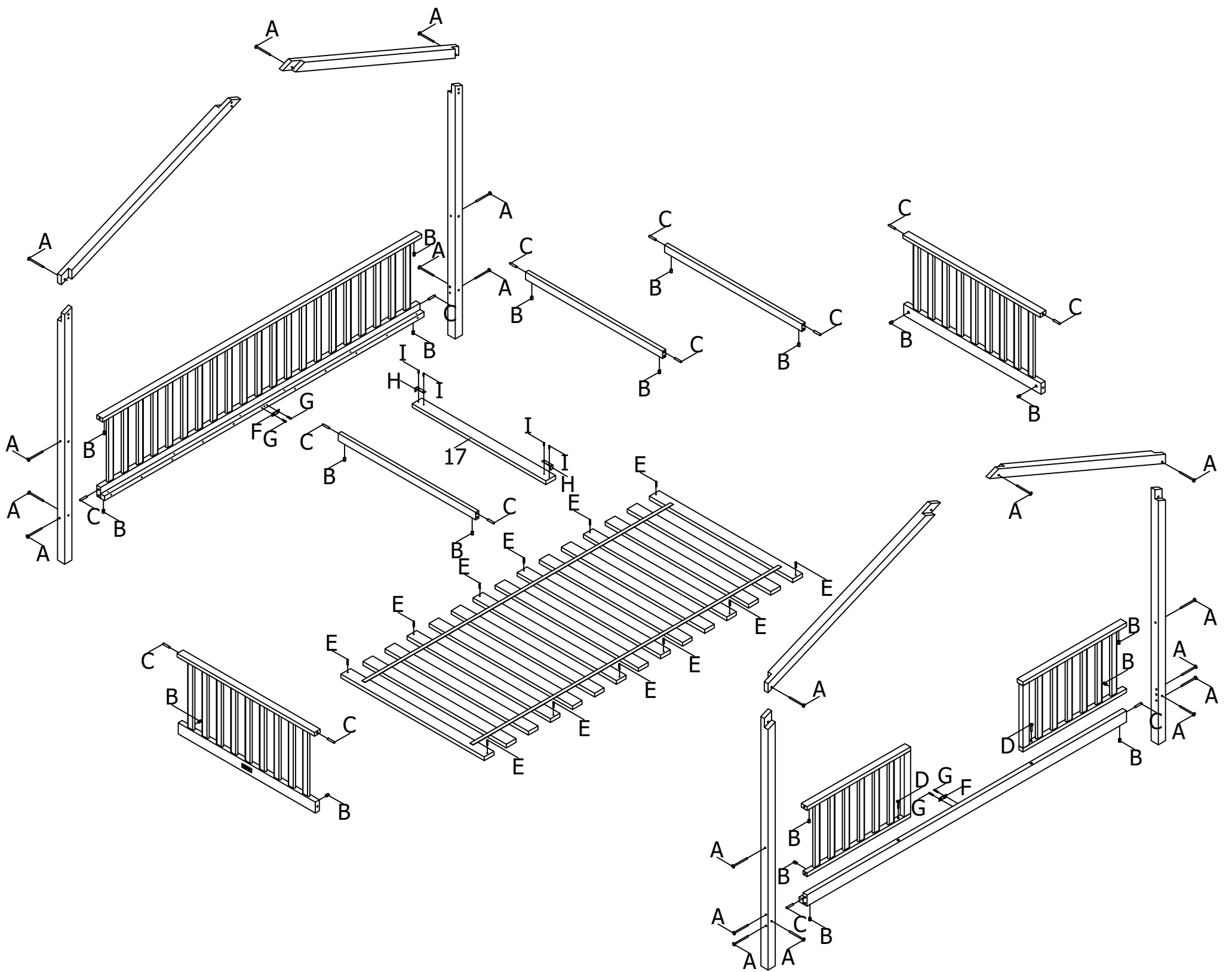
BOPITA
Energieweg 1
6662 NS Elst
The Netherlands

www.bopita.com

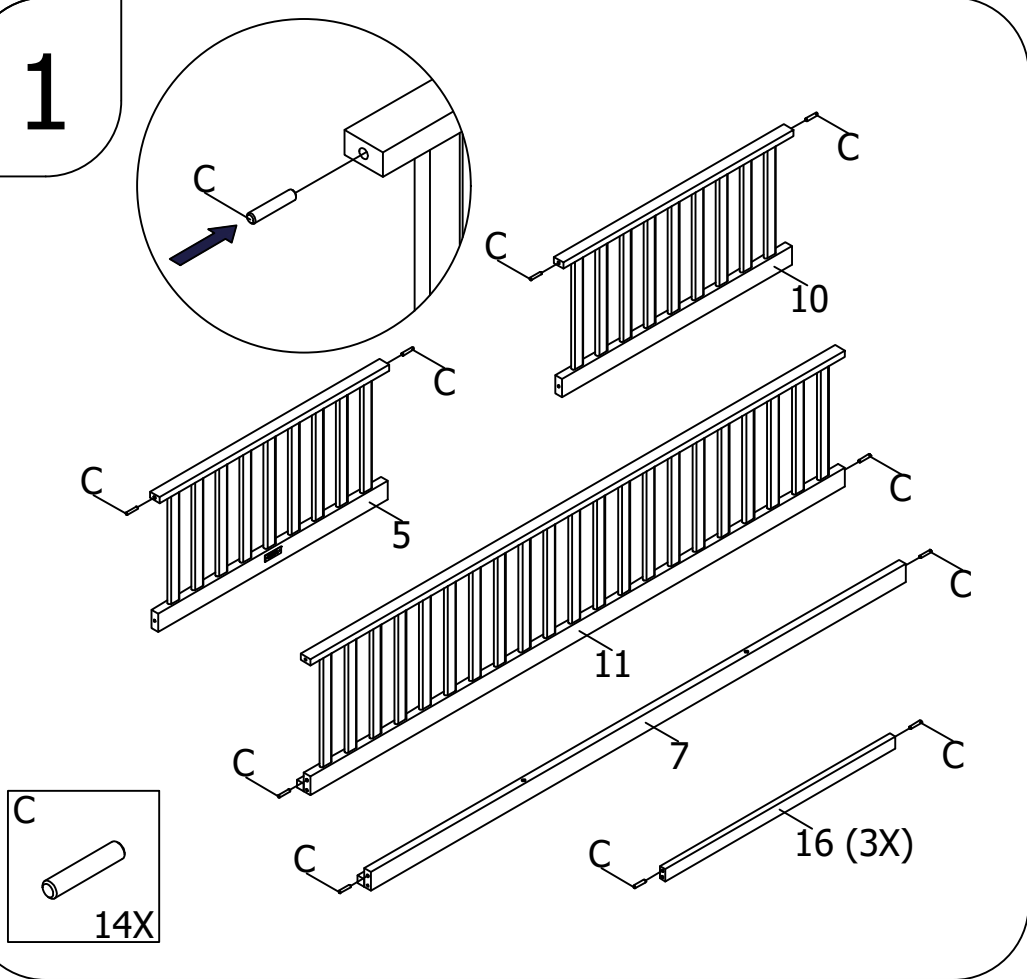


25.04.2024.

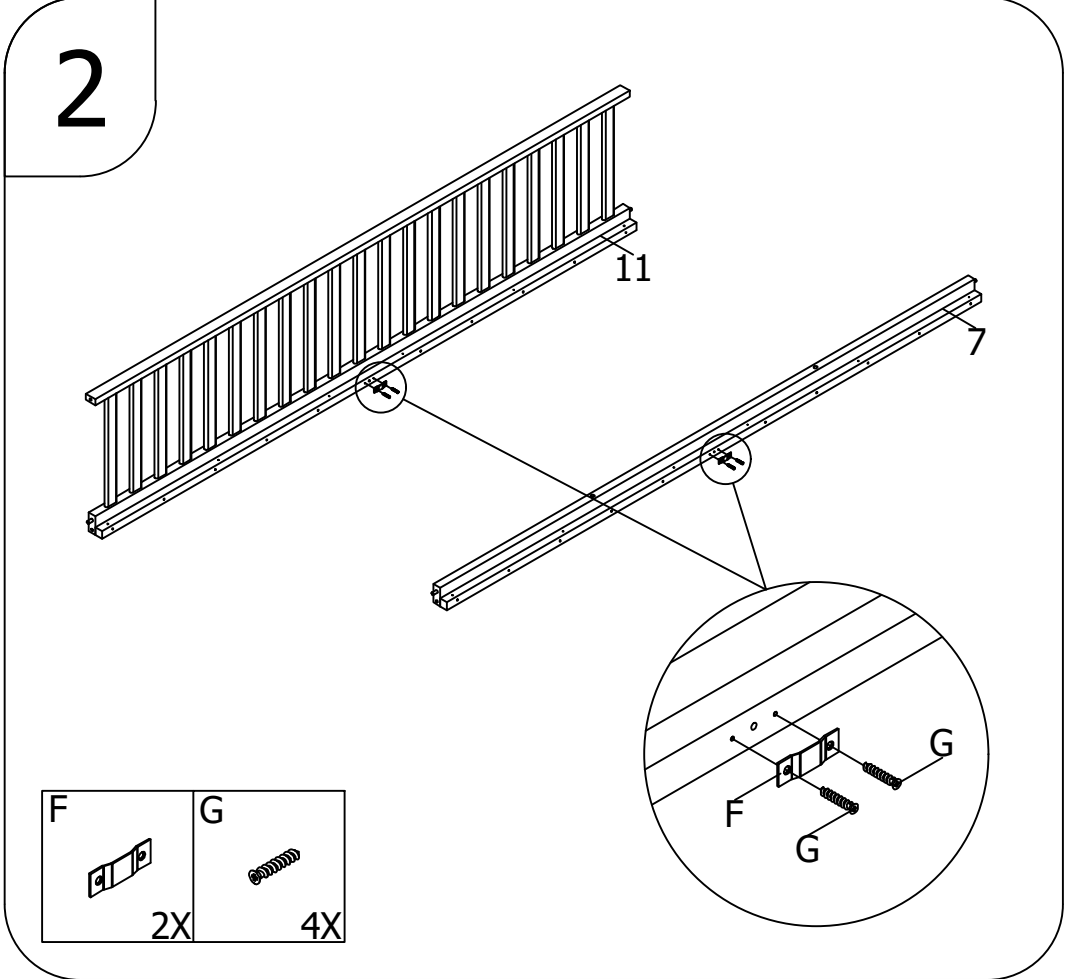
| | | | | | |
|---|---|---|---|---|---|
| A | B | C | D | E | F |
|  |  |  |  |  |  |
| M6X80 20X | M6 20X | Ø8X40 14X | M6X35 2X | 3,5X35 12X | 2X |
| G | H | I | J | | |
|  |  |  |  | | |
| 3,5X25 4X | 2X | 3,5X16 4X | SW4 1X | | |



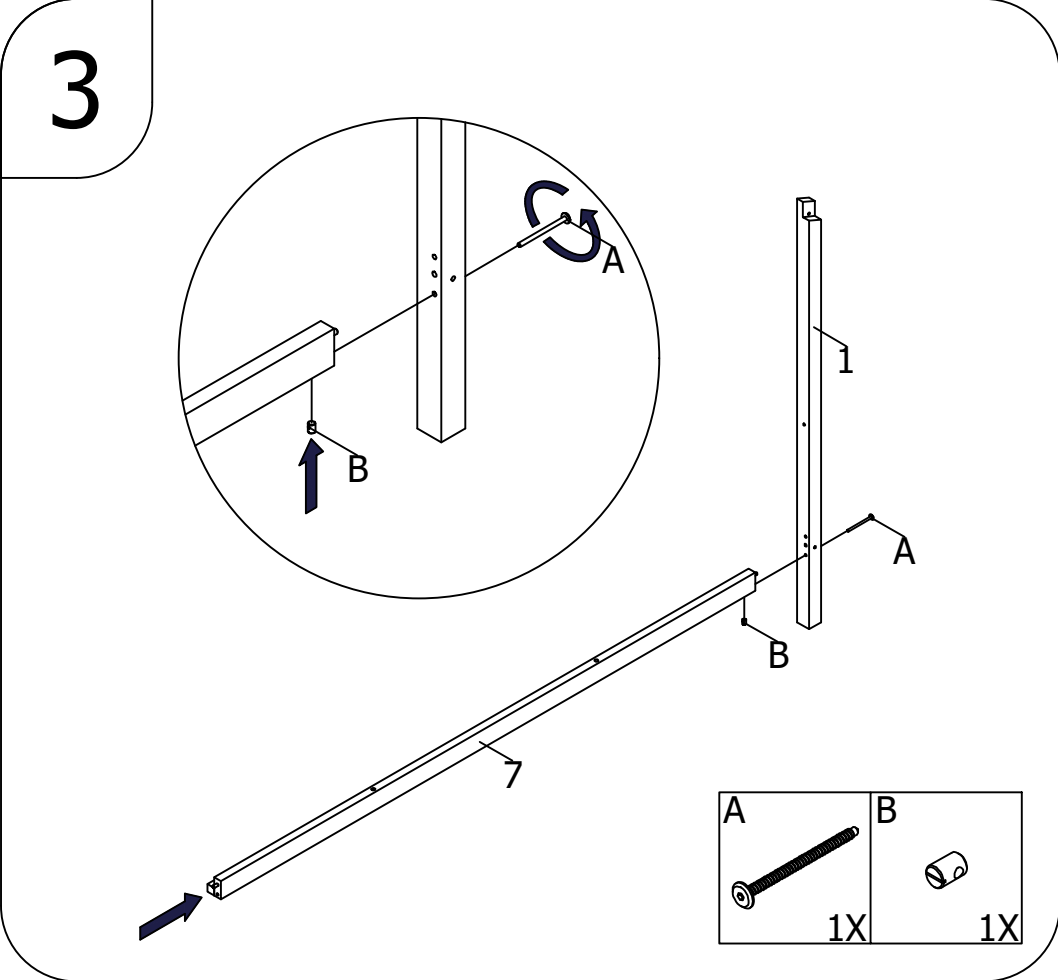
1



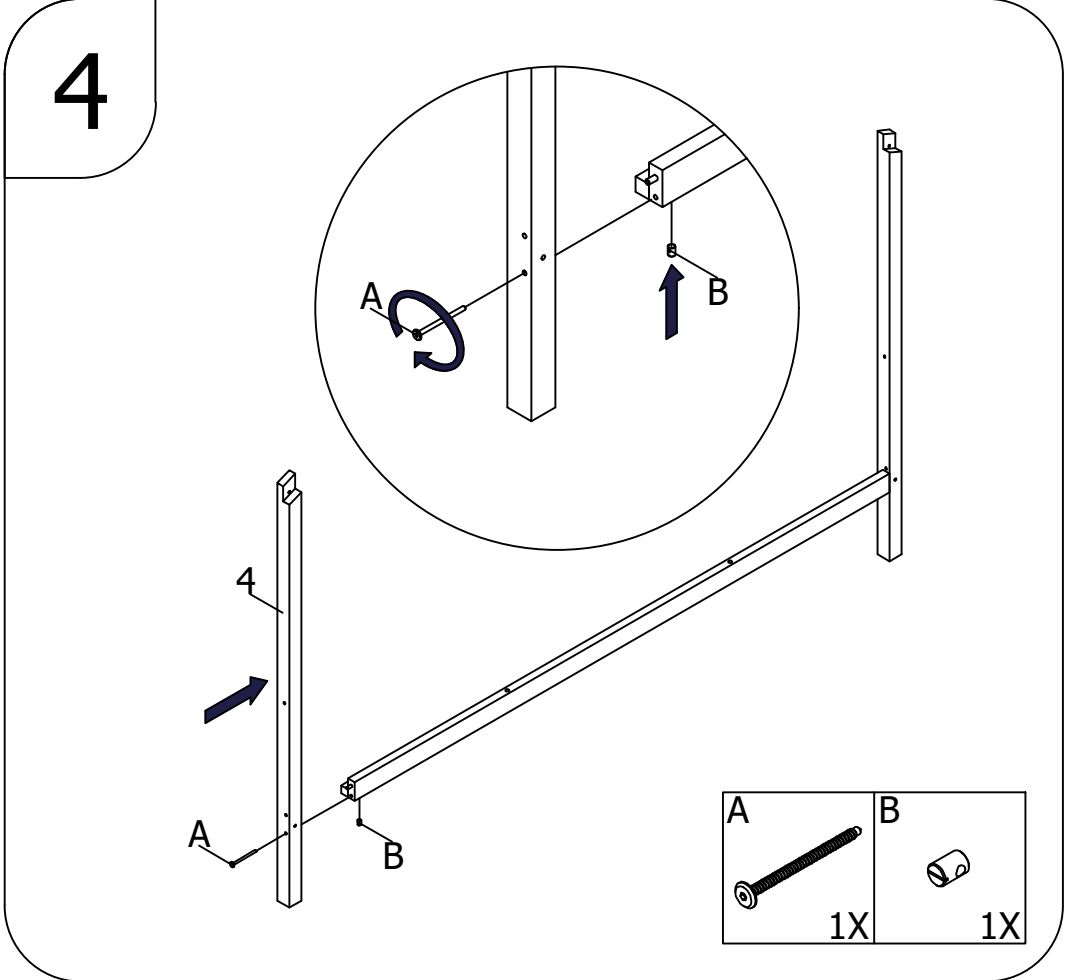
2



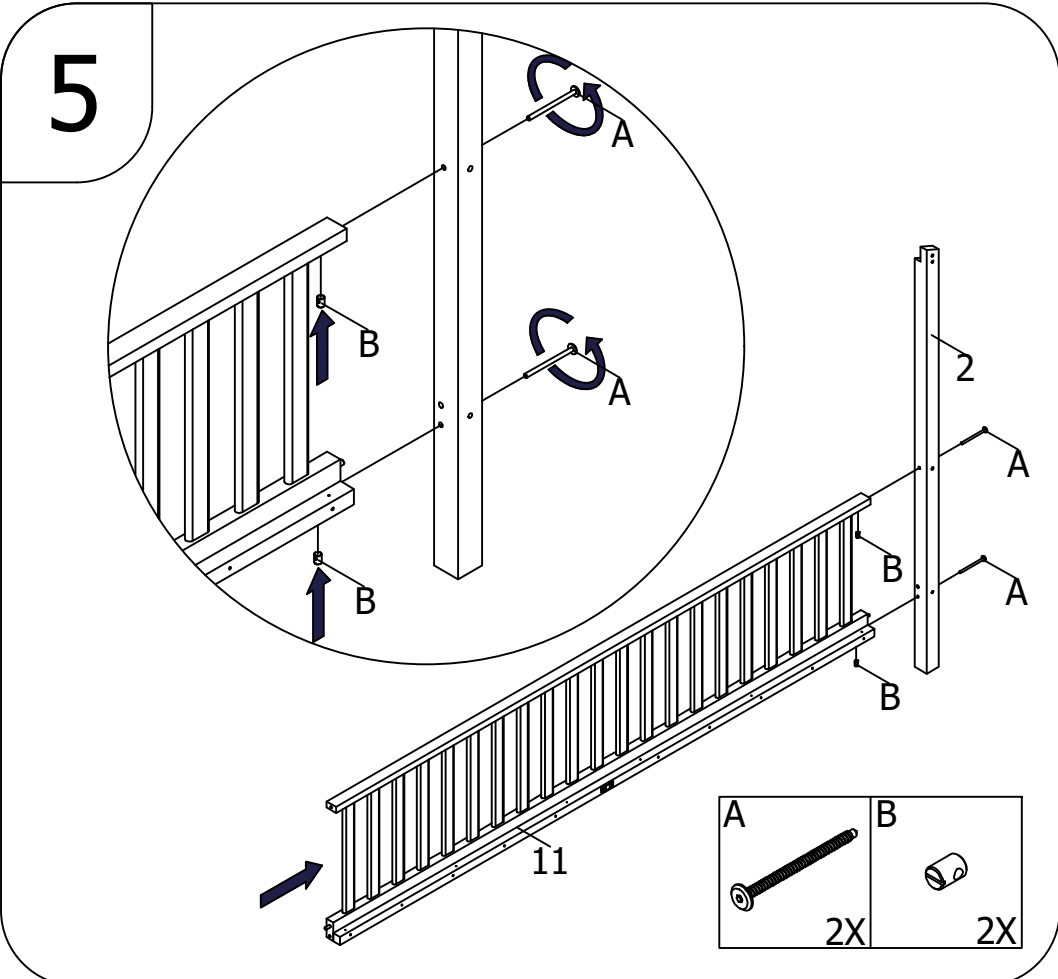
3



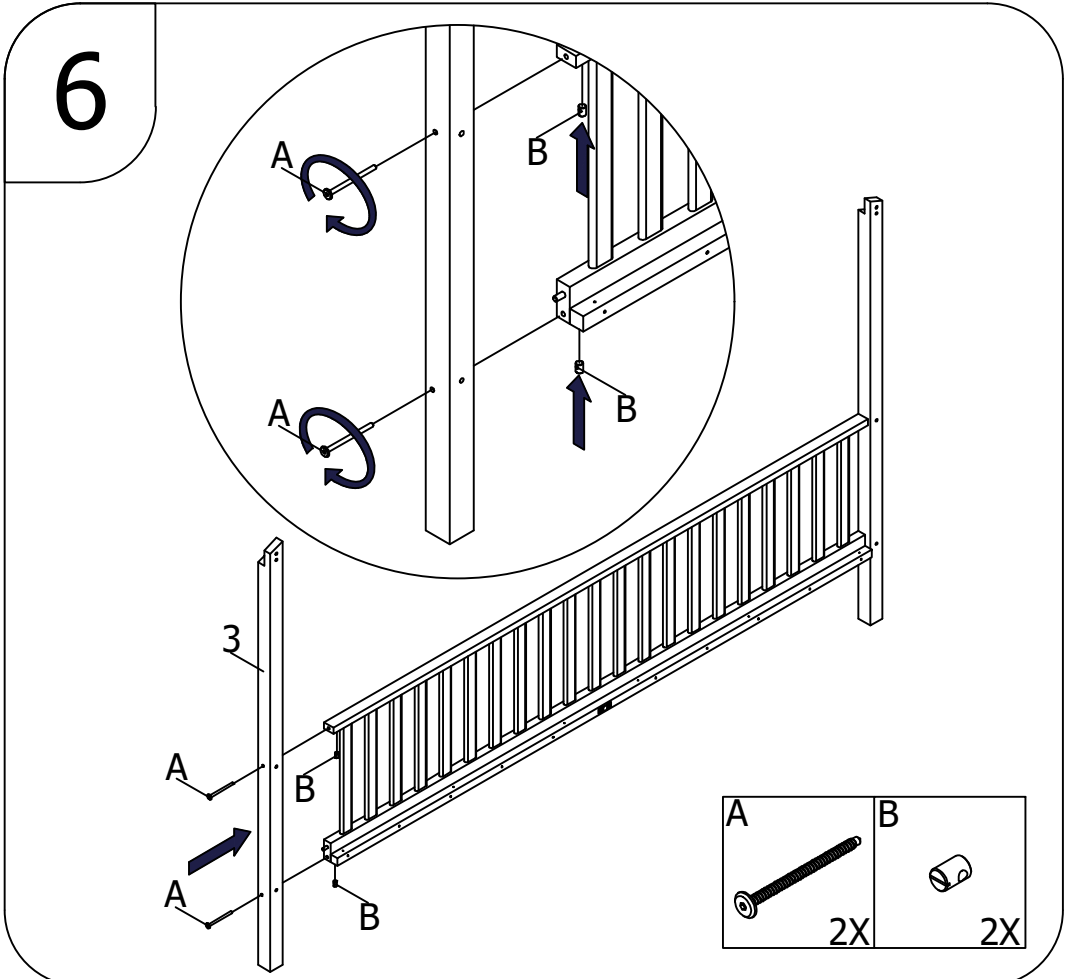
4



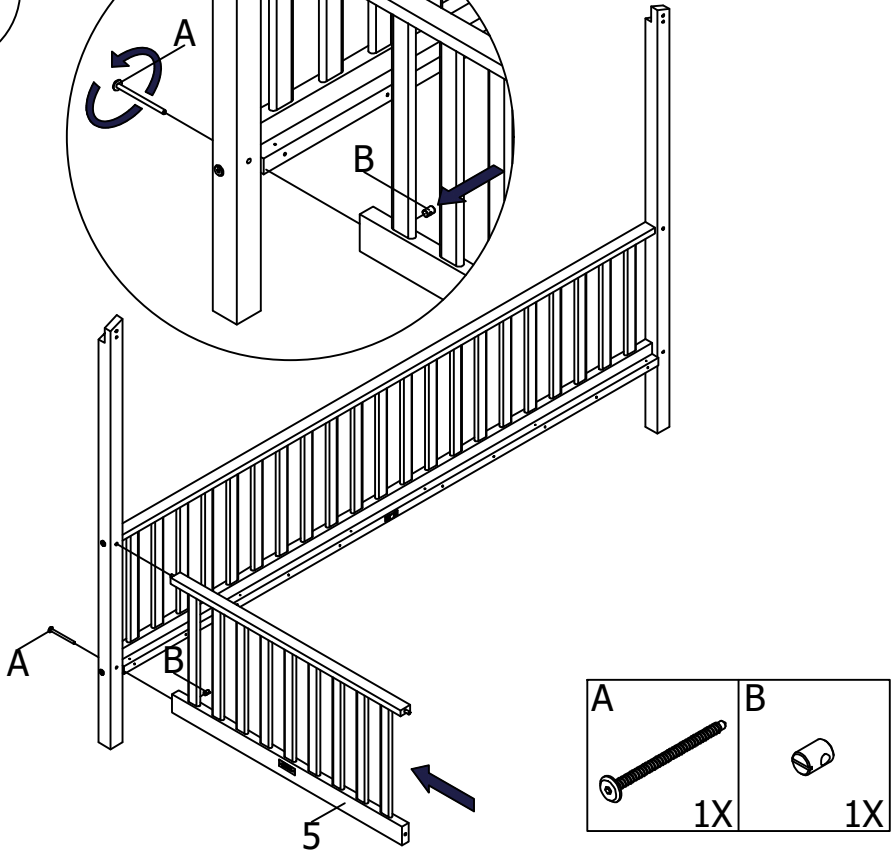
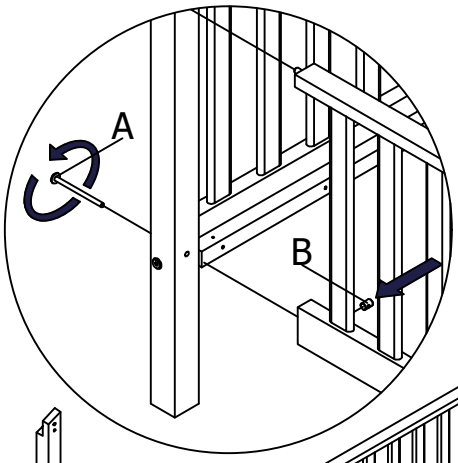
5



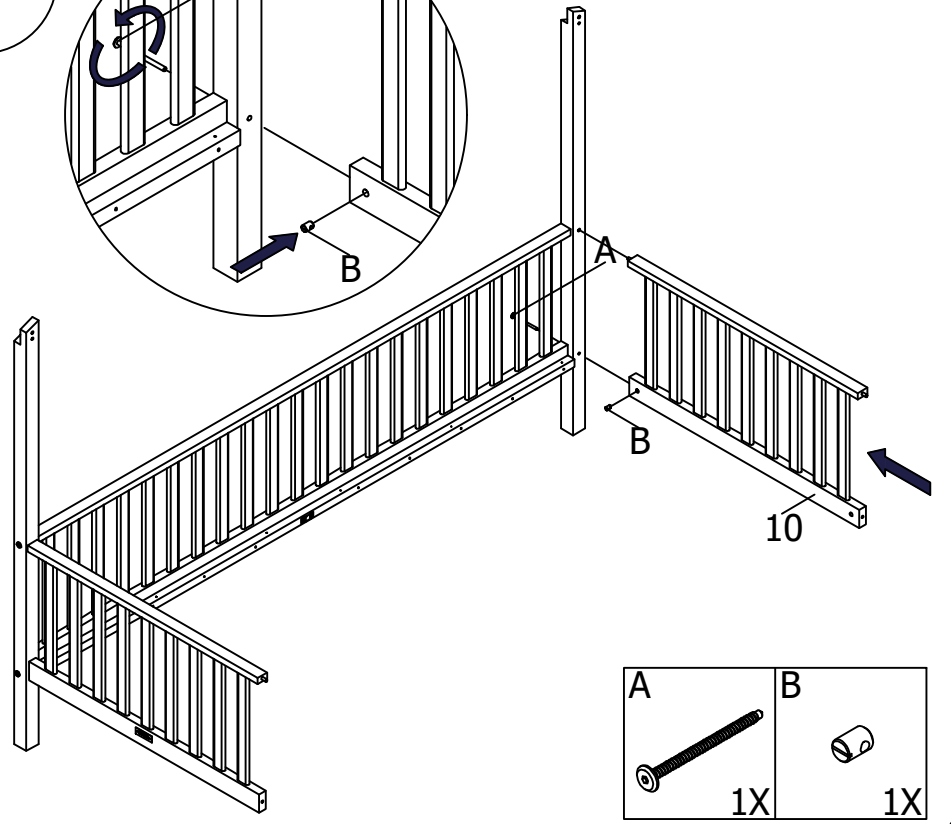
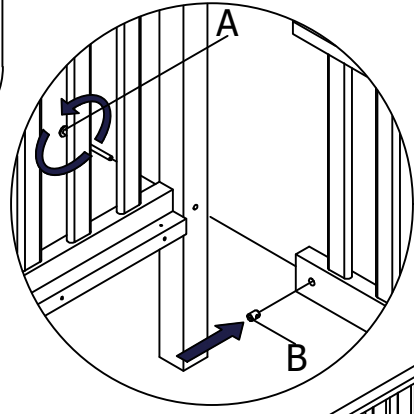
6



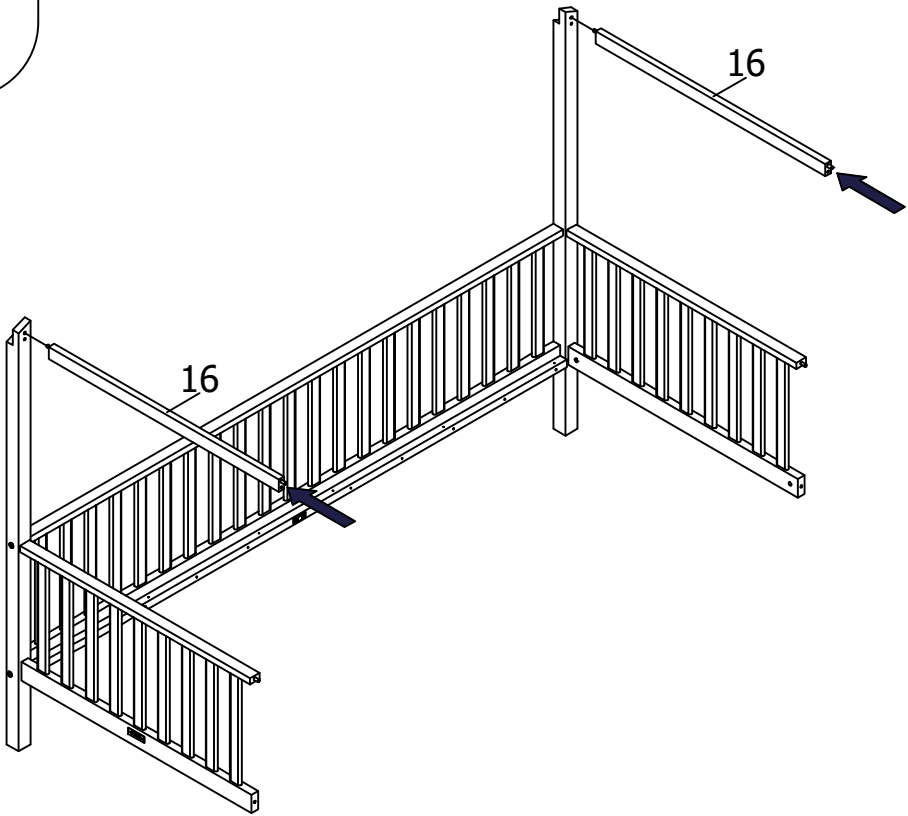
7



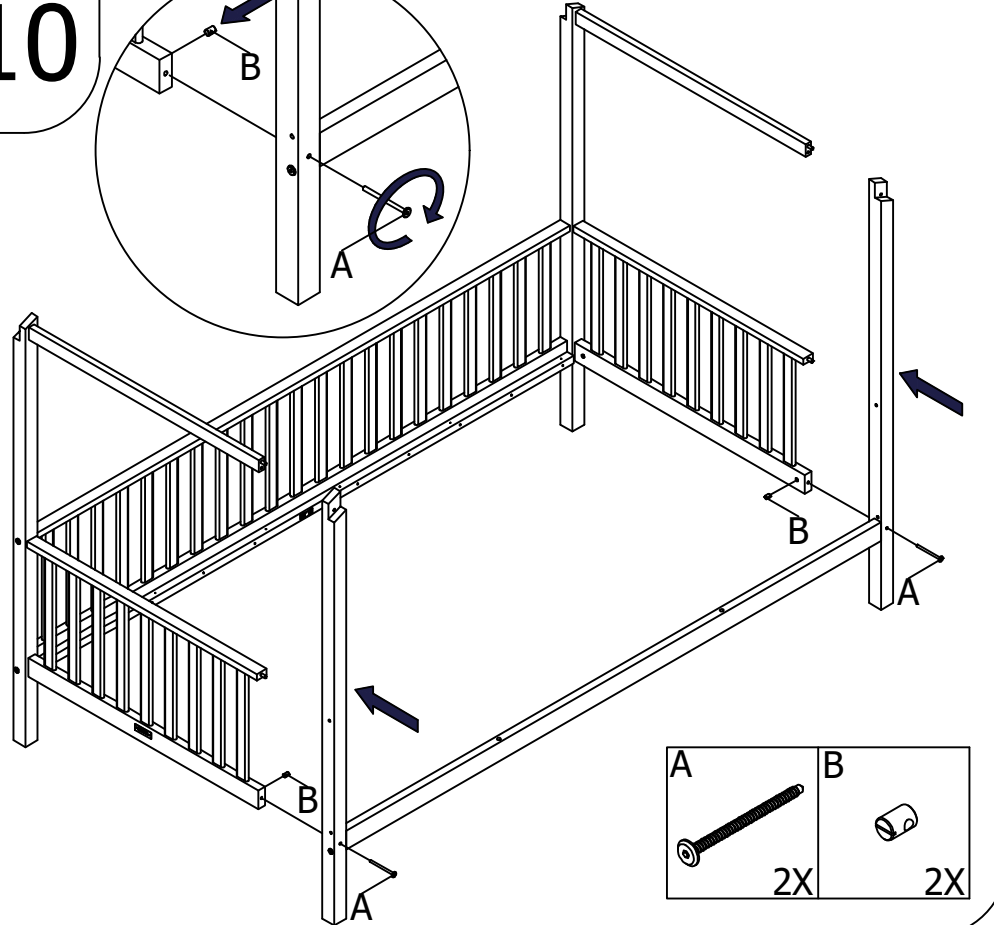
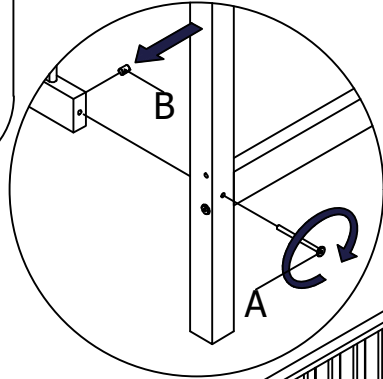
8



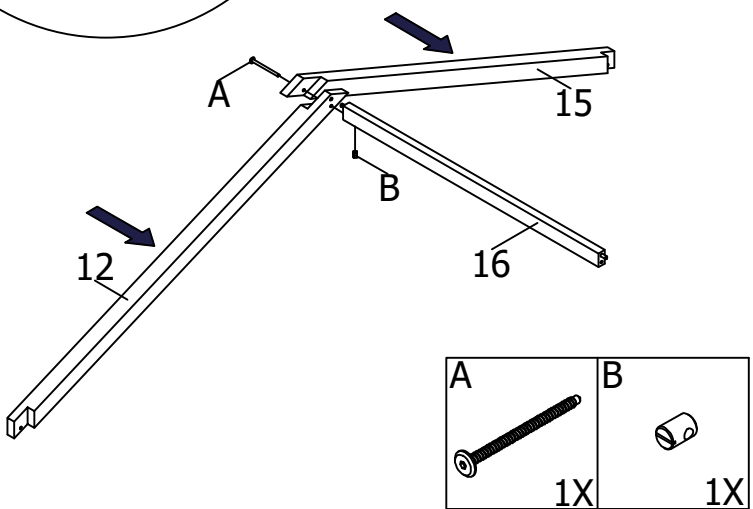
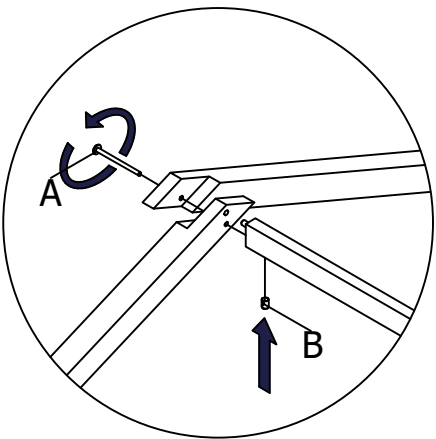
9



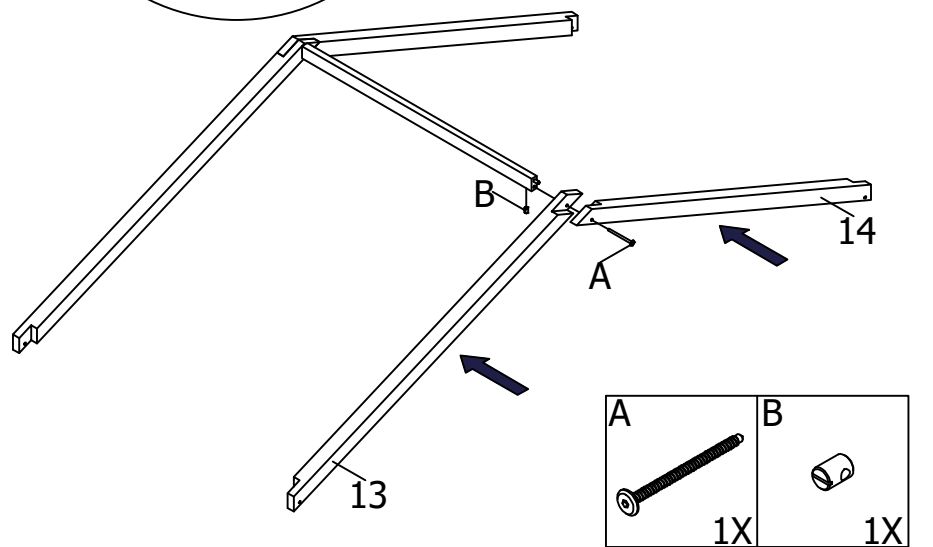
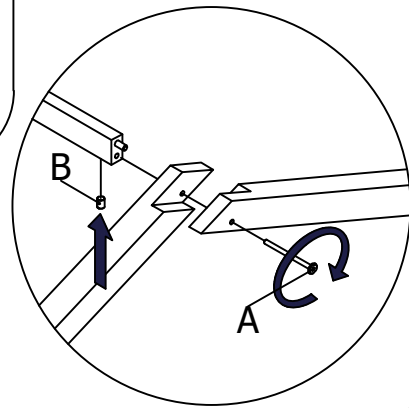
10



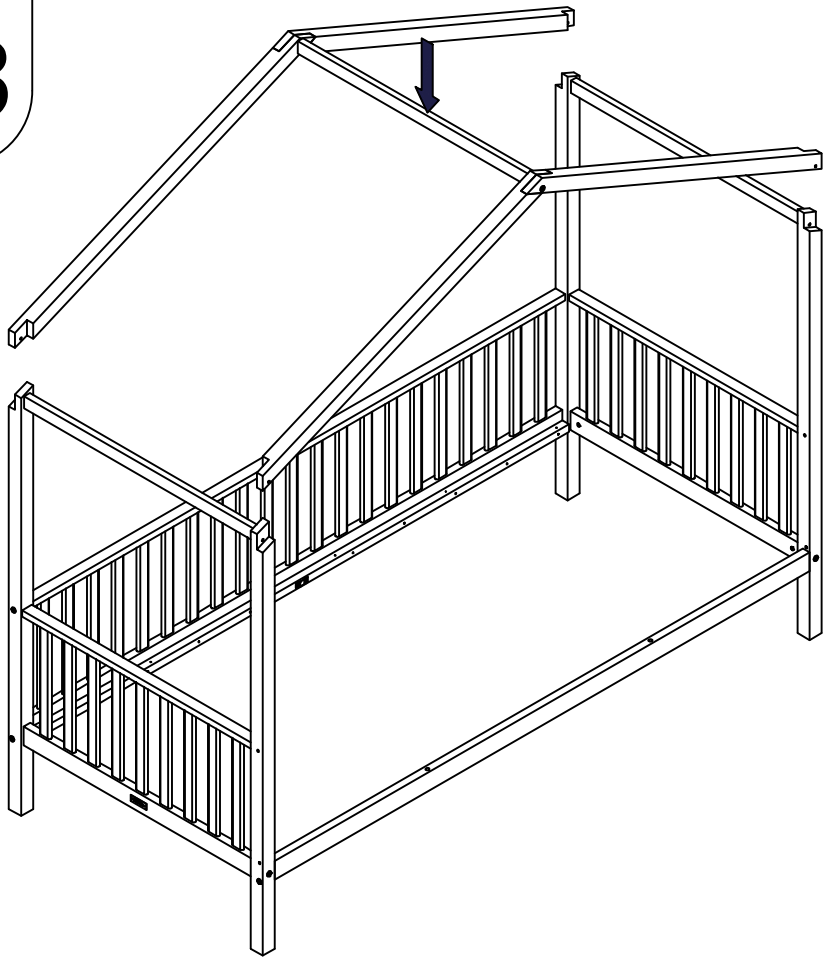
11



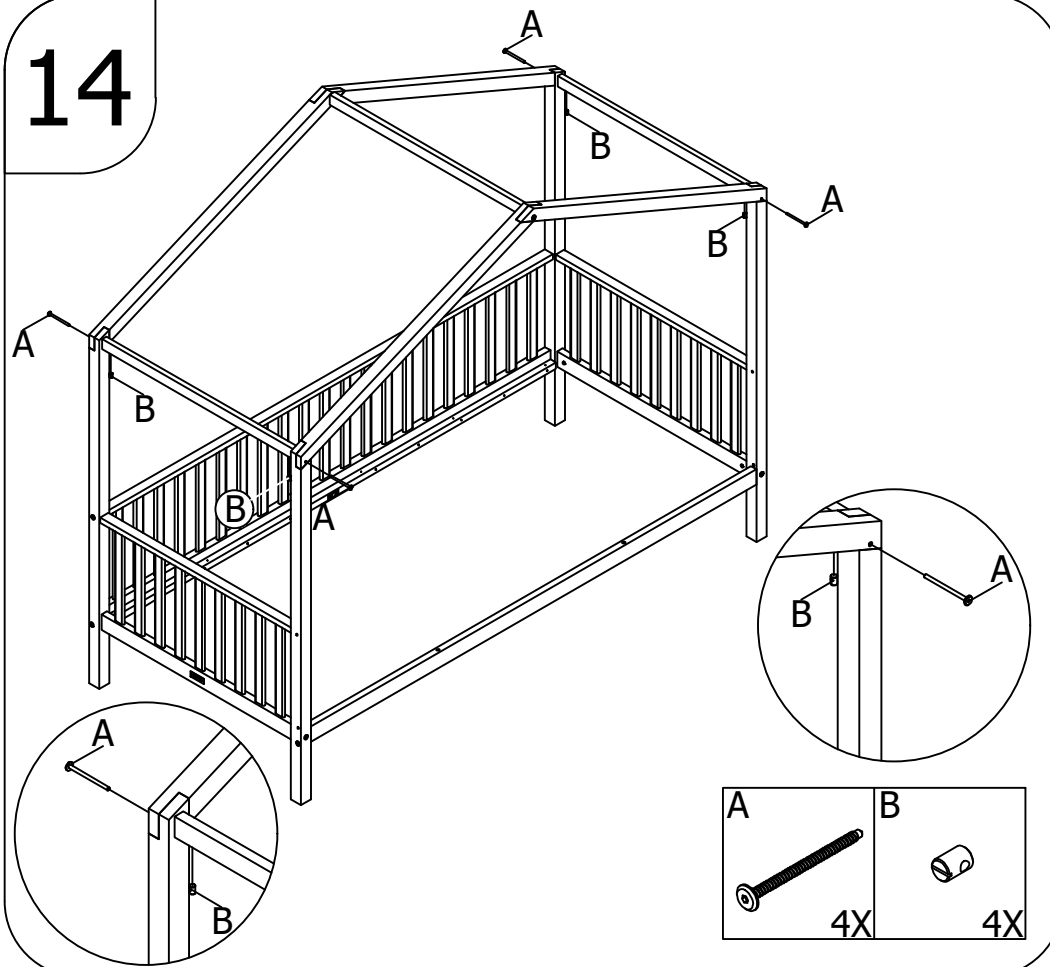
12



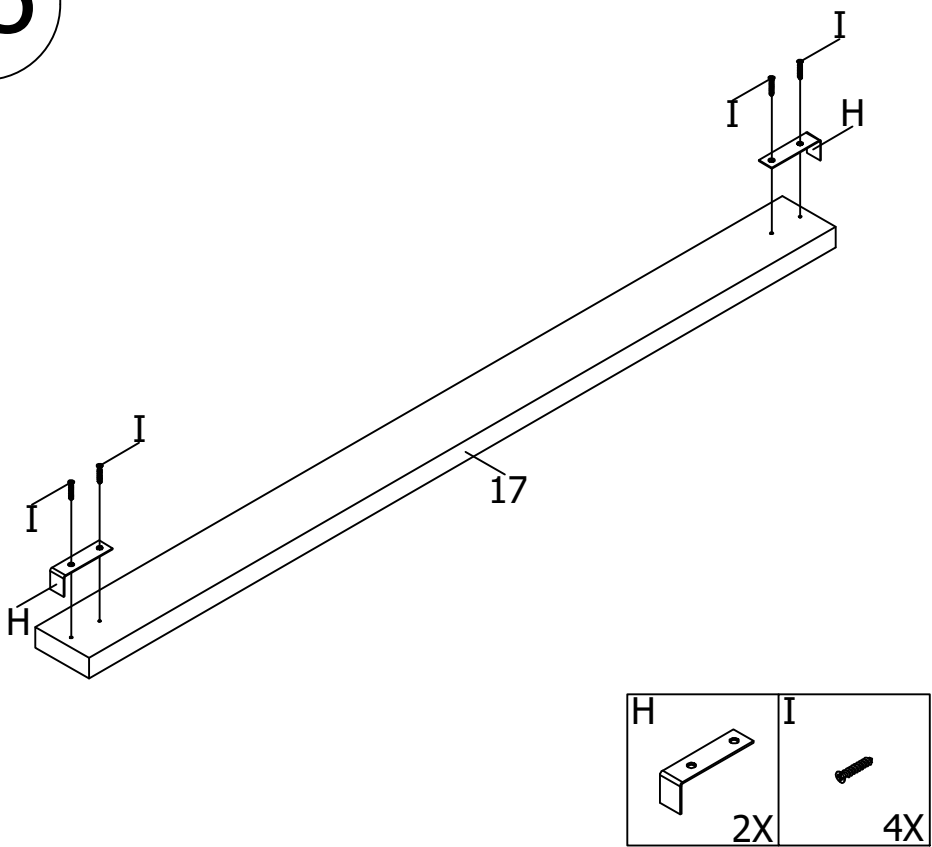
13



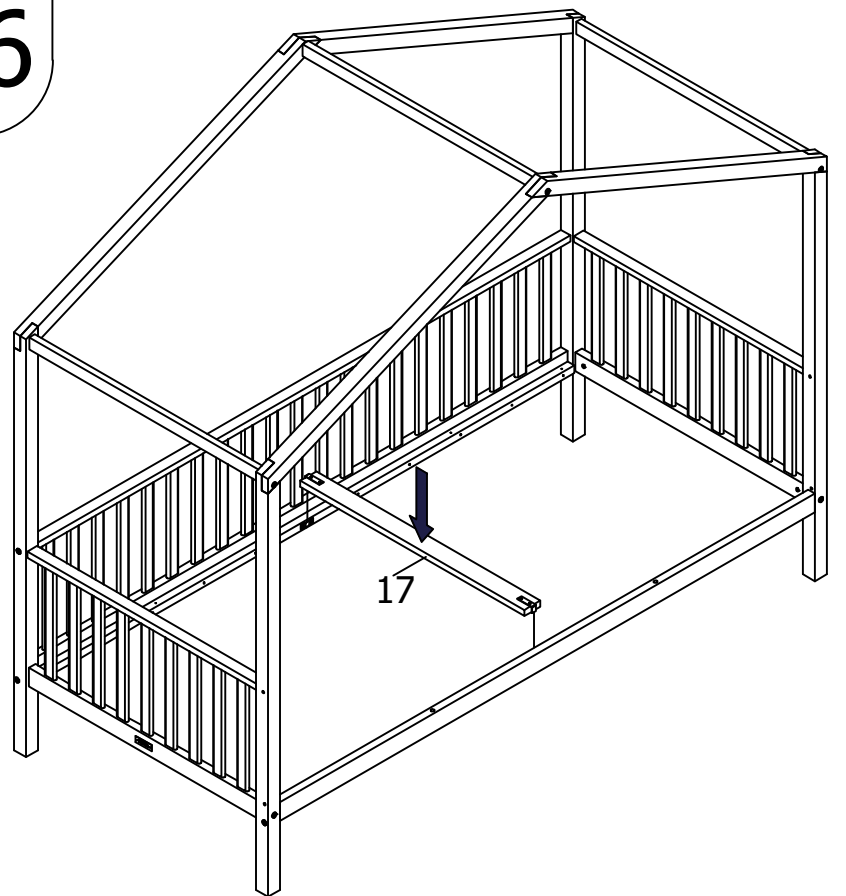
14



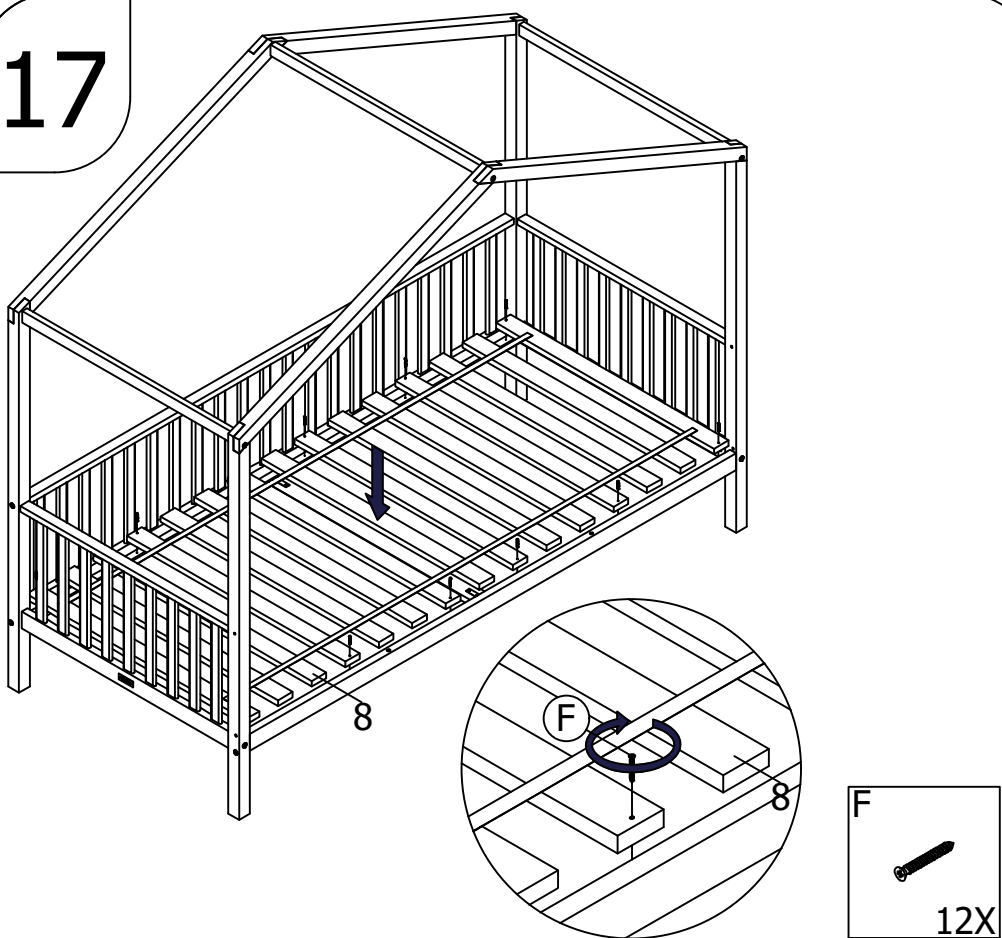
15



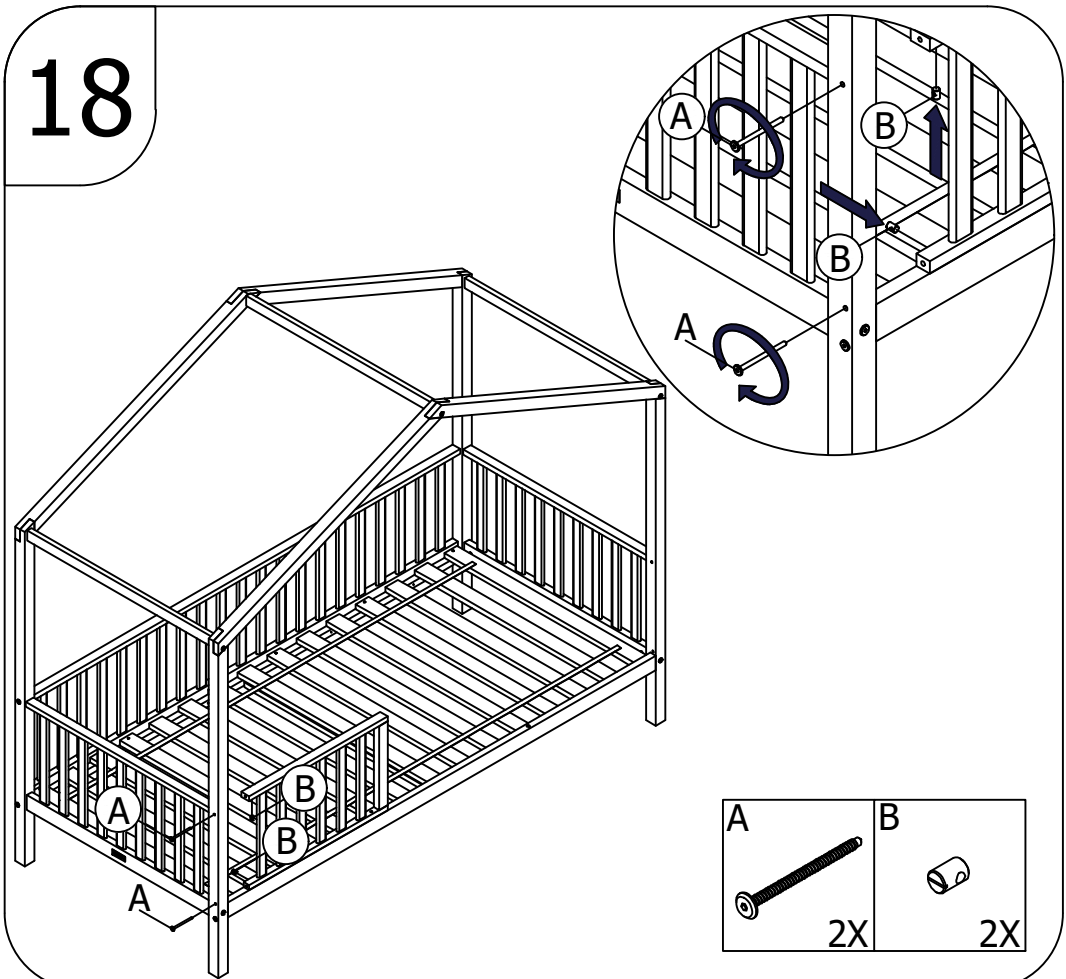
16



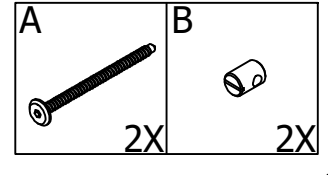
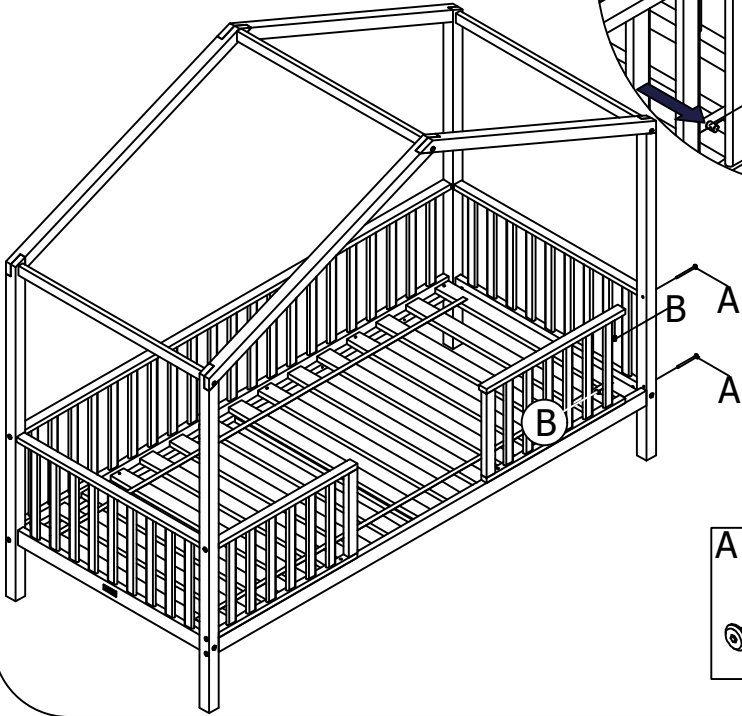
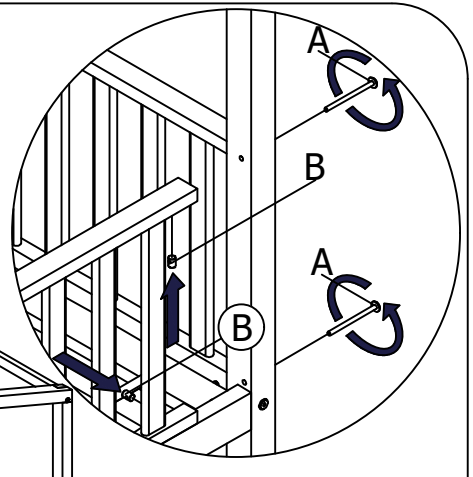
17



18



19



20

